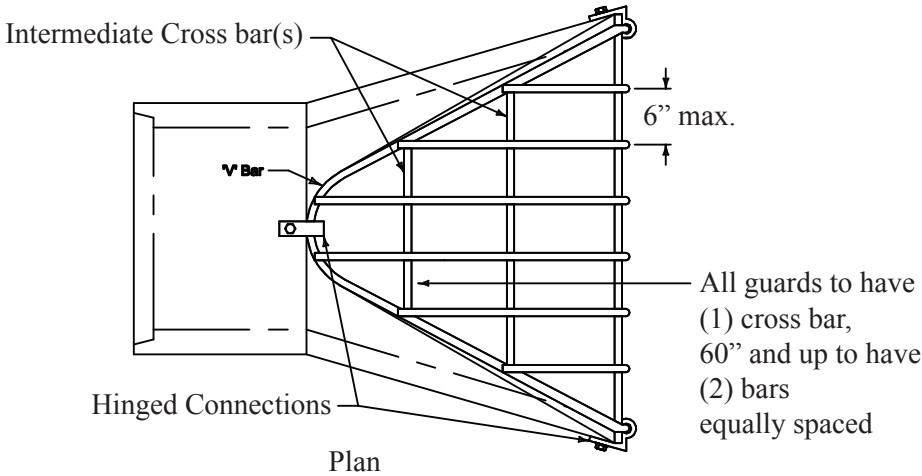
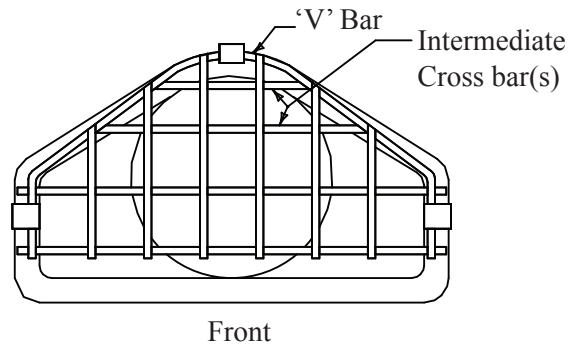
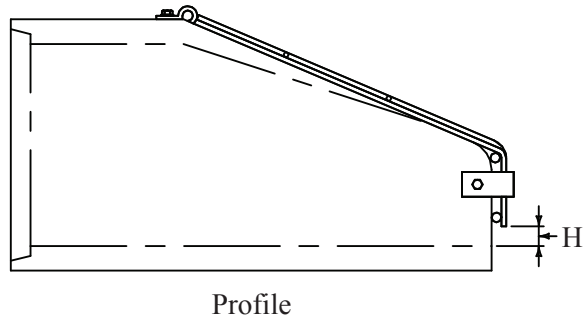


Trash Guard For Flared Ends



Round		Arch	
Pipe Size	H	Pipe Size	H
12"	2-1/2"	22"-29"	4"
15"	3"	36"-44"	5"
18"-24"	4"	51"-65"	6"
27"-36"	5"	73"-102"	7"
42"-54"	6"		
60"-72"	7"		
78"-90"	8"		

All guards to have (1) cross bar, 60" and up to have (2) bars equally spaced



Hot dip galvanized per ASTM A123

Bar Sizes									
Standard Design					Heavy Design				
	Pipe Size	Hole Dia. Required	Bolt Dia.	Bar Size		Pipe Size	Hole Dia. Required	Bolt Dia.	Bar Size
Round	12"-24"	3/4"	5/8"	5/8"	Round	12"-24"	3/4"	5/8"	3/4"
	27"-48"	7/8"	3/4"	3/4"		27"-48"	7/8"	3/4"	1"
	54"-90"	1-1/8"	1"	1"		54"-90"	1-1/8"	1"	1-1/4"
Arch	22"-29"	3/4"	5/8"	5/8"	Arch	22"-29"	3/4"	5/8"	3/4"
	36"-59"	7/8"	3/4"	3/4"		36"-59"	7/8"	3/4"	1"
	65"-102"	1-1/8"	1"	1"		65"-102"	1-1/8"	1"	1-1/4"
Bolt Lg. = Pipewall Thk. + 2-1/2"					Elliptical	14"x23"	3/4"	5/8"	3/4"
						19"x30"	3/4"	5/8"	3/4"
						24"x38"	7/8"	3/4"	3/4"
						29"x45"	7/8"	3/4"	3/4"
						34"x53"	7/8"	3/4"	3/4"
						38"x60"	7/8"	3/4"	3/4"
						43"x68"	1-1/8"	1"	1"
						48"x76"	1-1/8"	1"	1"
					53"x83"	1-1/8"	1"	1"	



1201 Hwy 4 South
 Sleepy Eye, MN 56085
 Ph: 507-794-5821
 Fax: 507-794-5823
 www.haala.com

Contact: Scott Haala
 scott@haala.com
 Ph: 507-794-5821 ext. 115
 Cell: 507-920-9182