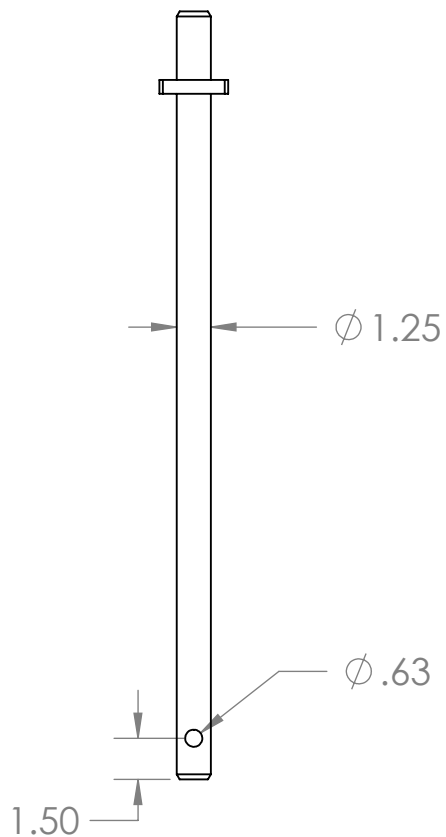


1/4" bevel
(both sides)



Notes:

1. Unit is made from A36 steel and can be hot dip galvanized after fabrication per ASTM A123/F2329.
2. All material is USA domestic.



PROPRIETARY AND CONFIDENTIAL
THE INFORMATION CONTAINED IN THIS DRAWING IS THE SOLE PROPERTY OF HAALA INDUSTRIES. ANY REPRODUCTION IN PART OR AS A WHOLE WITHOUT THE WRITTEN PERMISSION OF HAALA INDUSTRIES IS PROHIBITED.

MATERIAL:	
TOTAL Wt:	12
WEIGHT:	10.81
FINISH:	Galvanized

Part # BP8337C

Desc. Barrier Pin 1.25"x28" MN DOT 8337C

*DIMENSIONS ARE IN INCHES

DRAWN BY: Caleb S. 2/14/2008

REVISED: shea 9/19/2016

Title: BP8337C

REV: 1+

*DO NOT SCALE DRAWING

SHEET 4 OF 4