



Published on *Haala Industries* (<https://www.haala.com>)

[Home](#) > 3 Point Adaptor Plates

---

## 3 Point Adaptor Plates

\$530.20

**Title:**

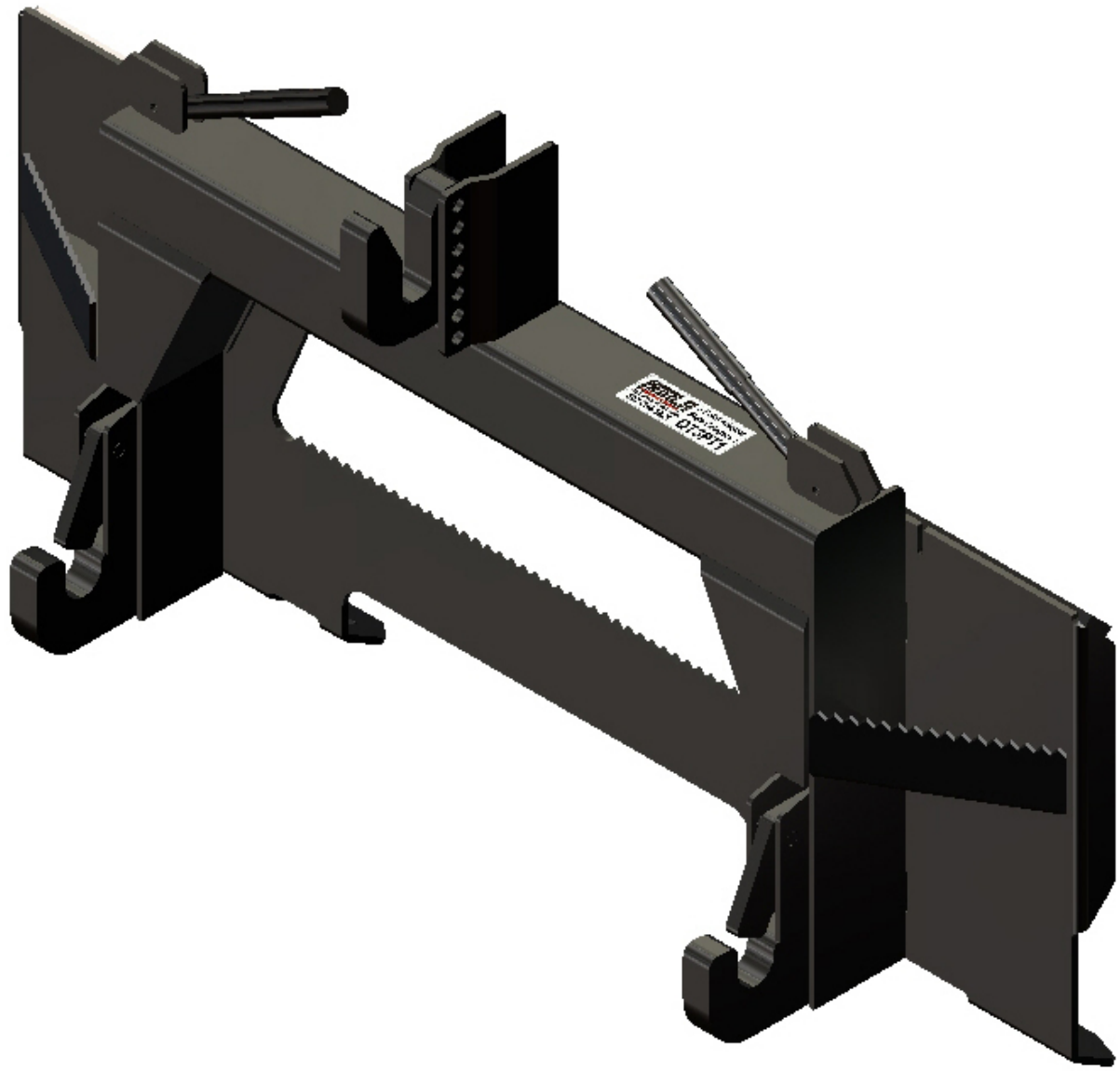
QT3PT1

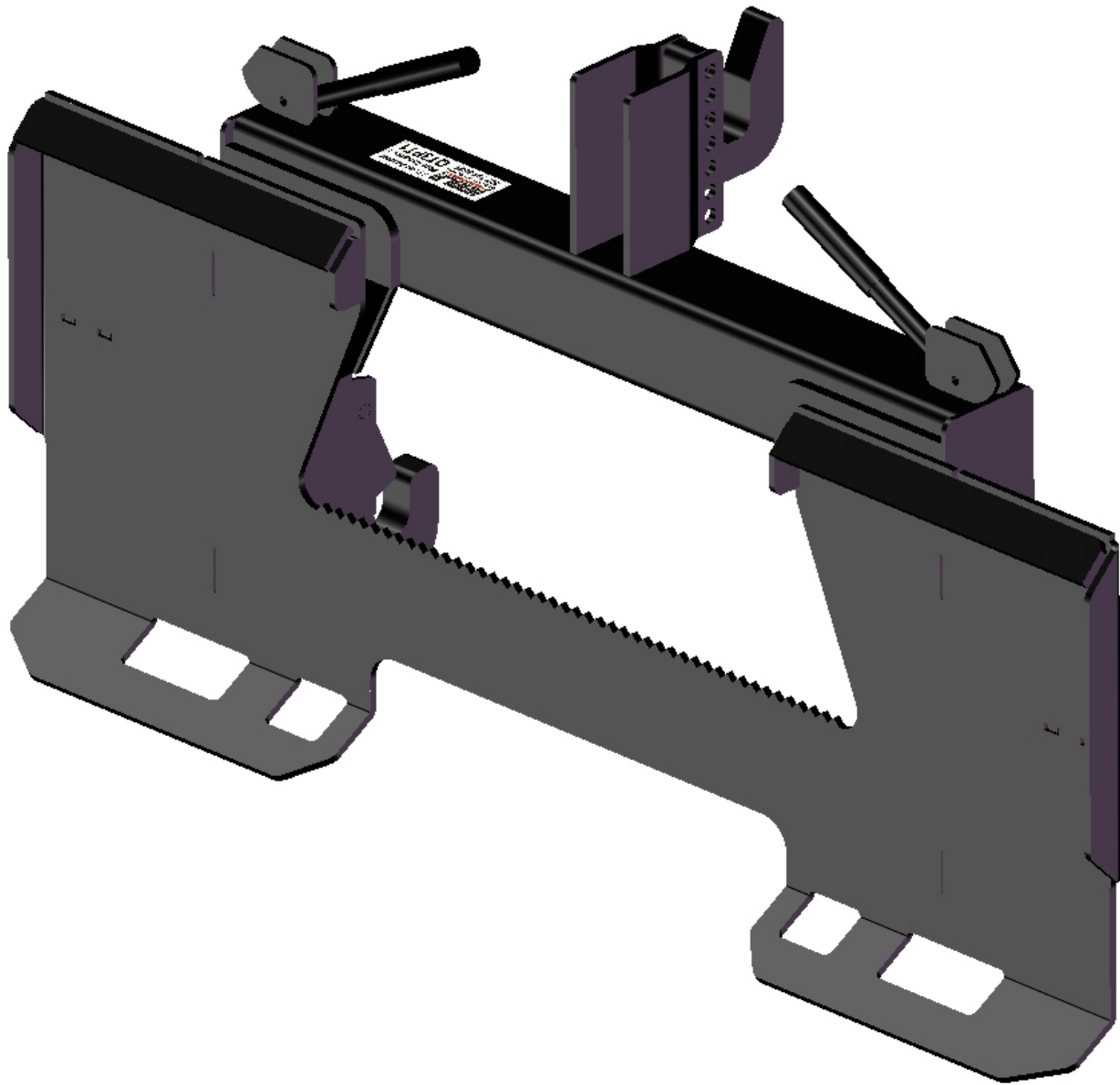
**Part No.**

QT3PT1

The design of this unit allows the user to operate their skid loader and attach to an implement designed for a Category 1 3 pt such as snowplows, box graders, mowers, wood splitters and more! The quick hitch on the adapter allows the operator to flip a lever to attach and detach the implements without stepping out of the loader; this of course can save valuable time, energy and money.

- Distance between bottom hooks: 27-3/8"
- Distance on the outside of bottom hooks: 30"
- Vertical c/c distance range: 15"-18"
- Fits all skid steers and compact tractors with the skid steer universal quick attach system.
- Designed to adapt a Category 1 3 Pt Implement to a standard universal attachment system
- Quick attach plate is 1/4" thick with a 3/8" top bar
- Durable powder coat finish







[Contact us for a Quote](#) [1]

**Dealer-only purchase:**

No

**Stock status:**

In Stock

Free Shipping!

**Type:**

[3 Point Adaptor Plate](#) [2]

**Style:**

[With center opening](#) [3]

**Thickness:**

1/4"

---

**Source URL:** <https://www.haala.com/products/3-point-adaptor-plates>

**Links**

[1] <https://www.haala.com/information-request?list>

[2] <https://www.haala.com/universal-quick-attach-mounting-plates-type/3-point-adaptor-plate>

[3] <https://www.haala.com/universal-quick-attach-mounting-plates-style/center-opening>